

VALVOLE DIREZIONALI

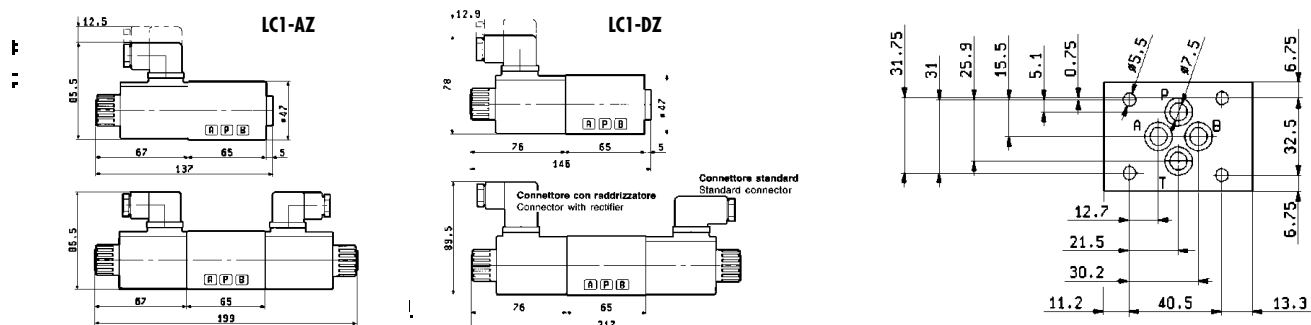
HYDRAULIC DIRECTIONAL CONTROL VALVES

HYDRAULIKWEGEVENTILE

ELETTOVALVOLE A COMANDO DIRETTO - CETOP 3

SOLENOID OPERATED DIRECTIONAL VALVES - CETOP 3

DIREKT GESTEUERTE MAGNETWEGEVENTILE - CETOP 3



| CODICE Code Bestell-Nr. | TIPO Type Typ | TENSIONE Voltage Spannung | SIMBOLO IDRAULICO Hydraulic Symbol Hydraulik-Symbol | Q MAX L/min | P MAX bar | Kg. | EURO |
|-------------------------------|---------------------|---------------------------------|---|-------------------|-----------------|------|--------|
| EL10A02002450 | LC1-A201 AZ | 24/50VAC | | 60 | 250 | 1,66 | 234,37 |
| EL10A02011050 | LC1-A201 AZ | 110/50VAC | | " | " | 1,66 | 234,37 |
| EL10A02022050 | LC1-A201 AZ | 220/50VAC | | " | " | 1,66 | 234,37 |
| EL10A02012VDC | LC1-A201 DZ | 12VDC | A201 (ex A2) | " | " | 1,82 | 213,86 |
| EL10A02024VDC | LC1-A201 DZ | 24VDC | A201 (ex A2) | " | " | 1,82 | 213,86 |
| EL10B02002450 | LC1-B201 AZ | 24/50VAC | | 60 | 250 | 1,66 | 216,02 |
| EL10B02011050 | LC1-B201 AZ | 110/50VAC | | " | " | 1,66 | 216,02 |
| EL10B02022050 | LC1-B201 AZ | 220/50VAC | | " | " | 1,66 | 216,02 |
| EL10B02012VDC | LC1-B201 DZ | 12VDC | B201 (ex B2) | " | " | 1,82 | 195,49 |
| EL10B02024VDC | LC1-B201 DZ | 24VDC | B201 (ex B2) | " | " | 1,82 | 195,49 |
| EL10C02002450 | LC1-C201 AZ | 24/50VAC | | 60 | 250 | 1,66 | 216,02 |
| EL10C02011050 | LC1-C201 AZ | 110/50VAC | | " | " | 1,66 | 216,02 |
| EL10C02022050 | LC1-C201 AZ | 220/50VAC | | " | " | 1,66 | 216,02 |
| EL10C02012VDC | LC1-C201 DZ | 12VDC | C201 (ex C2) | " | " | 1,82 | 195,49 |
| EL10C02024VDC | LC1-C201 DZ | 24VDC | C201 (ex C2) | " | " | 1,82 | 195,49 |
| EL10E02002450 | LC1-E201 AZ | 24/50VAC | | 60 | 250 | 1,66 | 216,02 |
| EL10E02011050 | LC1-E201 AZ | 110/50VAC | | " | " | 1,66 | 216,02 |
| EL10E02022050 | LC1-E201 AZ | 220/50VAC | | " | " | 1,66 | 216,02 |
| EL10E02012VDC | LC1-E201 DZ | 12VDC | E201 (ex E2) | " | " | 1,82 | 195,49 |
| EL10E02024VDC | LC1-E201 DZ | 24VDC | E201 (ex E2) | " | " | 1,82 | 195,49 |
| EL10A11S02450 | LC1-A301 AZ | 24/50VAC | | 60 | 250 | 1,25 | 177,14 |
| EL10A11S11050 | LC1-A301 AZ | 110/50VAC | | " | " | 1,25 | 177,14 |
| EL10A11S22050 | LC1-A301 AZ | 220/50VAC | | " | " | 1,25 | 177,14 |
| EL10A11S12VDC | LC1-A301 DZ | 12VDC | A301 (ex A11S) | " | " | 1,33 | 166,86 |
| EL10A11S24VDC | LC1-A301 DZ | 24VDC | A301 (ex A11S) | " | " | 1,33 | 166,86 |
| EL10A11C02450 | LC1-Y301 AZ | 24/50VAC | | 60 | 250 | 1,25 | 158,78 |
| EL10A11C11050 | LC1-Y301 AZ | 110/50VAC | | " | " | 1,25 | 158,78 |
| EL10A11C22050 | LC1-Y301 AZ | 220/50VAC | | " | " | 1,25 | 158,78 |
| EL10A11C12VDC | LC1-Y301 DZ | 12VDC | Y301 (ex A11C) | " | " | 1,33 | 148,50 |
| EL10A11C24VDC | LC1-Y301 DZ | 24VDC | Y301 (ex A11C) | " | " | 1,33 | 148,50 |
| EL10B11C02450 | LC1-B301 AZ | 24/50VAC | | 60 | 250 | 1,25 | 158,78 |
| EL10B11C11050 | LC1-B301 AZ | 110/50VAC | | " | " | 1,25 | 158,78 |
| EL10B11C22050 | LC1-B301 AZ | 220/50VAC | | " | " | 1,25 | 158,78 |
| EL10B11C12VDC | LC1-B301 DZ | 12VDC | B301 (ex B11C) | " | " | 1,33 | 148,50 |
| EL10B11C24VDC | LC1-B301 DZ | 24VDC | B301 (ex B11C) | " | " | 1,33 | 148,50 |
| EL10C11A02450 | LC1-C201 AZ | 24/50VAC | | 60 | 250 | 1,25 | 158,78 |
| EL10C11A11050 | LC1-C201 AZ | 110/50VAC | | " | " | 1,25 | 158,78 |
| EL10C11A22050 | LC1-C201 AZ | 220/50VAC | | " | " | 1,25 | 158,78 |
| EL10C11A12VDC | LC1-C201 DZ | 12VDC | C301 (ex C11A) | " | " | 1,33 | 148,50 |
| EL10C11A24VDC | LC1-C201 DZ | 24VDC | C301 (ex C11A) | " | " | 1,33 | 148,50 |

A RICHIESTA: ELETTOVALVOLE TIPO LC0,4 (CETOP 2)

ON REQUEST: SOLENOID DIRECTIONAL VALVES LC0,4 (CETOP 2)

AUF ANFRAGE: MAGNETWEGEVENTILE LC0,4 (CETOP 2)

VALVOLE DIREZIONALI

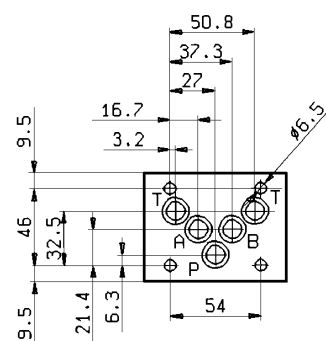
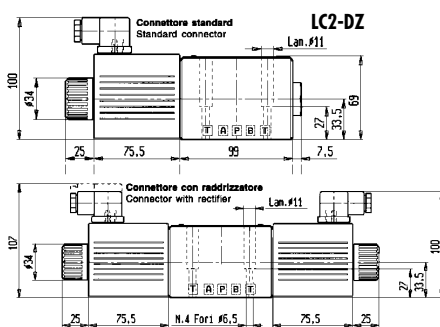
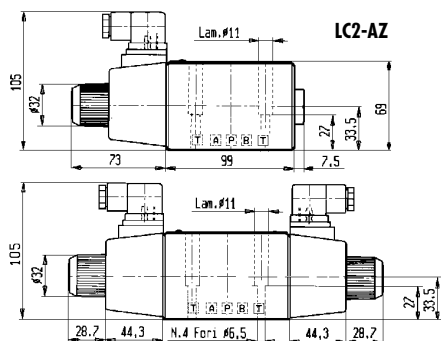
HYDRAULIC DIRECTIONAL CONTROL VALVES

HYDRAULIKWEGEVENTILE

ELETTOVALVOLE A COMANDO DIRETTO - CETOP 5

SOLENOID OPERATED DIRECTIONAL VALVES - CETOP 5

DIREKT GESTEUERTE MAGNETWEGEVENTILE - CETOP 5



| CODICE Code Bestell-Nr. | TIPO Type Typ | TENSIONE Voltage Spannung | SIMBOLO IDRAULICO Hydraulic Symbol Hydraulik-Symbol | Q MAX L/min | P MAX bar | Kg. | EURO |
|-------------------------------|---------------------|---------------------------------|---|-------------------|-----------------|-----|--------|
| EL20A02002450 | LC2-A201 AZ | 24/50VAC | | 100 | 310 | 4,1 | 388,83 |
| EL20A02011050 | LC2-A201 AZ | 110/50VAC | | " | " | 4,1 | 388,83 |
| EL20A02022050 | LC2-A201 AZ | 220/50VAC | | " | " | 4,1 | 388,83 |
| EL20A02012VDC | LC2-A201 DZ | 12VDC | A201 (ex A2) | 120 | " | 5,1 | 388,83 |
| EL20A02024VDC | LC2-A201 DZ | 24VDC | | " | " | 5,1 | 388,83 |
| EL20B02002450 | LC2-B201 AZ | 24/50VAC | | 100 | 310 | 4,1 | 362,92 |
| EL20B02011050 | LC2-B201 AZ | 110/50VAC | | " | " | 4,1 | 362,92 |
| EL20B02022050 | LC2-B201 AZ | 220/50VAC | | " | " | 4,1 | 362,92 |
| EL20B02012VDC | LC2-B201 DZ | 12VDC | B201 (ex B2) | 120 | " | 5,1 | 362,92 |
| EL20B02024VDC | LC2-B201 DZ | 24VDC | | " | " | 5,1 | 362,92 |
| EL20C02002450 | LC2-C201 AZ | 24/50VAC | | 100 | 310 | 4,1 | 362,92 |
| EL20C02011050 | LC2-C201 AZ | 110/50VAC | | " | " | 4,1 | 362,92 |
| EL20C02022050 | LC2-C201 AZ | 220/50VAC | | " | " | 4,1 | 362,92 |
| EL20C02012VDC | LC2-C201 DZ | 12VDC | C201 (ex C2) | 120 | " | 5,1 | 362,92 |
| EL20C02024VDC | LC2-C201 DZ | 24VDC | | " | " | 5,1 | 362,92 |
| EL20E02002450 | LC2-E201 AZ | 24/50VAC | | 100 | 310 | 4,1 | 362,92 |
| EL20E02011050 | LC2-E201 AZ | 110/50VAC | | " | " | 4,1 | 362,92 |
| EL20E02022050 | LC2-E201 AZ | 220/50VAC | | " | " | 4,1 | 362,92 |
| EL20E02012VDC | LC2-E201 DZ | 12VDC | E201 (ex E2) | 120 | " | 5,1 | 362,92 |
| EL20E02024VDC | LC2-E201 DZ | 24VDC | | " | " | 5,1 | 362,92 |
| EL20A11S02450 | LC2-A301 AZ | 24/50VAC | | 100 | 310 | 3,3 | 300,24 |
| EL20A11S11050 | LC2-A301 AZ | 110/50VAC | | " | " | 3,3 | 300,24 |
| EL20A11S22050 | LC2-A301 AZ | 220/50VAC | | " | " | 3,3 | 300,24 |
| EL20A11S12VDC | LC2-A301 DZ | 12VDC | A301 (ex A11S) | 120 | " | 4,0 | 300,24 |
| EL20A11S24VDC | LC2-A301 DZ | 24VDC | | " | " | 4,0 | 300,24 |
| EL20A11C02450 | LC2-Y301 AZ | 24/50VAC | | 100 | 310 | 3,3 | 274,35 |
| EL20A11C11050 | LC2-Y301 AZ | 110/50VAC | | " | " | 3,3 | 274,35 |
| EL20A11C22050 | LC2-Y301 AZ | 220/50VAC | | " | " | 3,3 | 274,35 |
| EL20A11C12VDC | LC2-Y301 DZ | 12VDC | Y301 (ex A11C) | 120 | " | 4,0 | 274,35 |
| EL20A11C24VDC | LC2-Y301 DZ | 24VDC | | " | " | 4,0 | 274,35 |
| EL20B11C02450 | LC2-B301 AZ | 24/50VAC | | 100 | 310 | 3,3 | 274,35 |
| EL20B11C11050 | LC2-B301 AZ | 110/50VAC | | " | " | 3,3 | 274,35 |
| EL20B11C22050 | LC2-B301 AZ | 220/50VAC | | " | " | 3,3 | 274,35 |
| EL20B11C12VDC | LC2-B301 DZ | 12VDC | B301 (ex B11C) | 120 | " | 4,0 | 274,35 |
| EL20B11C24VDC | LC2-B301 DZ | 24VDC | | " | " | 4,0 | 274,35 |
| EL20C11A02450 | LC2-C201 AZ | 24/50VAC | | 100 | 310 | 3,3 | 274,35 |
| EL20C11A11050 | LC2-C201 AZ | 110/50VAC | | " | " | 3,3 | 274,35 |
| EL20C11A22050 | LC2-C201 AZ | 220/50VAC | | " | " | 3,3 | 274,35 |
| EL20C11A12VDC | LC2-C201 DZ | 12VDC | C301 (ex C11A) | 120 | " | 4,0 | 274,35 |
| EL20C11A24VDC | LC2-C201 DZ | 24VDC | | " | " | 4,0 | 274,35 |

A RICHIESTA: VALVOLE MODULARI PER ELETTOVALVOLE CETOP 2 - 3 - 5

ON REQUEST: MODULAR VALVES FOR SOLENOID OPERATED DIRECTIONAL VALVES CETOP 2 - 3 - 5

AUF ANFRAGE: SANDWICH-VENTILE FÜR MAGNETWEGEVENTILE CETOP 2 - 3 - 5

VALVOLE DIREZIONALI

HYDRAULIC DIRECTIONAL CONTROL VALVES

HYDRAULIKWEGEVENTILE

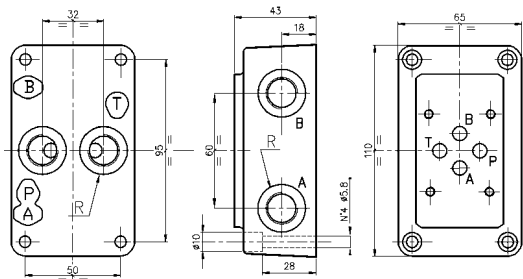
PIASTRE DI MONTAGGIO PER ELETTROVALVOLE

SUB-PLATES FOR SOLENOID VALVES - GRUNDPLATTEN FÜR MAGNETWEGEVENTILE

| CODICE Code Bestell-Nr. | TIPO Type Typ | FILETTI Thread Gewinde | Kg. | EURO |
|-------------------------------|---------------------|------------------------------|-----|------|
|-------------------------------|---------------------|------------------------------|-----|------|

SENZA VMP - WITHOUT RELIEF VALVE - OHNE DBV

EV95050005 ES3-D-38-PL 3/8"G 1,8 74,47

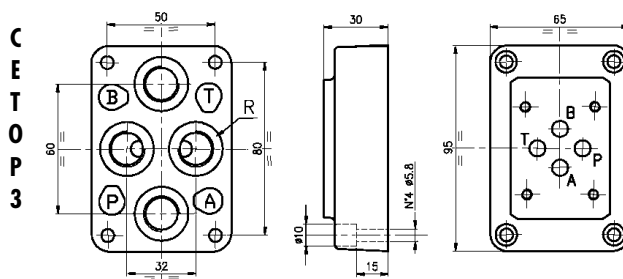


CETOP 3

| CODICE Code Bestell-Nr. | TIPO Type Typ | FILETTI Thread Gewinde | Kg. | EURO |
|-------------------------------|---------------------|------------------------------|-----|------|
|-------------------------------|---------------------|------------------------------|-----|------|

SENZA VMP - WITHOUT RELIEF VALVE - OHNE DBV

EV95050003 ES3-A-38-P 3/8"G 1,0 61,65

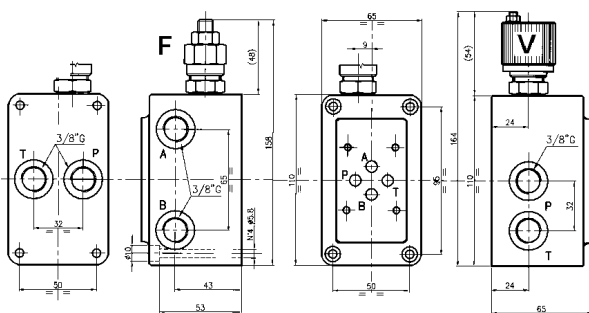


CETOP 3

| CODICE Code Bestell-Nr. | TIPO Type Typ | FILETTI Thread Gewinde | Kg. | EURO |
|-------------------------------|---------------------|------------------------------|-----|------|
|-------------------------------|---------------------|------------------------------|-----|------|

CON VMP - WITH RELIEF VALVE - MIT DBV

EV95050014 ES3-B-38-X3V 3/8"G 3,0 169,86



CETOP 3

**CAMPO DI TARATURA
SETTING RANGE
EICHUNGSBEREICH**

X0F - X0V 5-50 bar
X1F - X1V 30-100 bar
X2F - X2V 50-210 bar
X3F - X3V 100-350 bar

TARATURA - SETTING - EICHUNG

F
a chiave
by key
mit Schlüssel

V
a volantino
by knob
mit Handrad

A RICHIESTA
Piastrine monoblocco - 10 sezioni max
con / senza valvola limitatrice

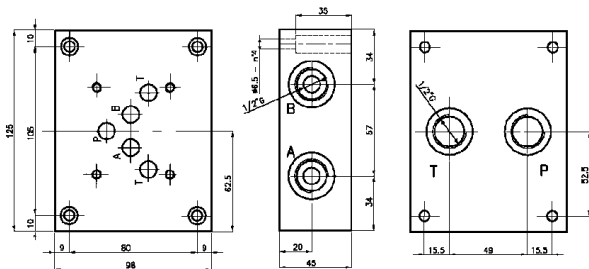
ON REQUEST
Monobloc sub-plates - 10 sections max
with / without relief valve

AUF ANFRAGE
Mehrfachgrundplatten
max 10 Sektionen
mit / ohne Druckbegrenzungsventil

| CODICE Code Bestell-Nr. | TIPO Type Typ | FILETTI Thread Gewinde | Kg. | EURO |
|-------------------------------|---------------------|------------------------------|-----|------|
|-------------------------------|---------------------|------------------------------|-----|------|

SENZA VMP - WITHOUT RELIEF VALVE - OHNE DBV

EV95070005 ES5-A-12-PL 1/2"G 2,6 98,17

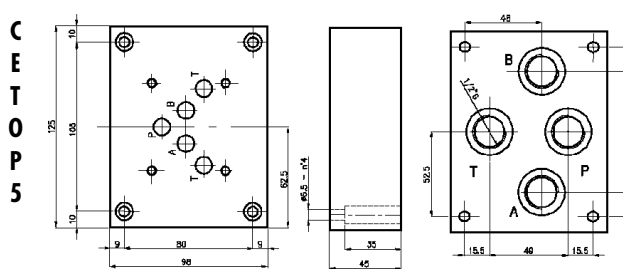


CETOP 5

| CODICE Code Bestell-Nr. | TIPO Type Typ | FILETTI Thread Gewinde | Kg. | EURO |
|-------------------------------|---------------------|------------------------------|-----|------|
|-------------------------------|---------------------|------------------------------|-----|------|

SENZA VMP - WITHOUT RELIEF VALVE - OHNE DBV

EV95070001 ES5-A-12-P 1/2"G 2,6 98,17

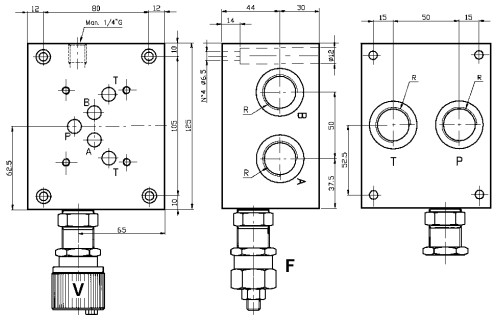


CETOP 5

| CODICE Code Bestell-Nr. | TIPO Type Typ | FILETTI Thread Gewinde | Kg. | EURO |
|-------------------------------|---------------------|------------------------------|-----|------|
|-------------------------------|---------------------|------------------------------|-----|------|

CON VMP - WITH RELIEF VALVE - MIT DBV

EV95070015 ES5-B-12-X3V 1/2"G 5,3 242,85



CETOP 5

**CAMPO DI TARATURA
SETTING RANGE
EICHUNGSBEREICH**

X1F - X1V 5-60 bar
X2F - X2V 35-120 bar
X3F - X3V 80-300 bar

TARATURA - SETTING - EICHUNG

F
a chiave
by key
mit Schlüssel

V
a volantino
by knob
mit Handrad

A RICHIESTA
Piastrine per elettrovalvole
CETOP 7 - CETOP 8

ON REQUEST
Sub plates for solenoid valves
CETOP 7 - CETOP 8

AUF ANFRAGE
Grundplatten für Magnetwegeventile
CETOP 7 - CETOP 8

VALVOLE DIREZIONALI

HYDRAULIC DIRECTIONAL CONTROL VALVES

HYDRAULIKWEGEVENTILE

SELETTORI DI CIRCUITO COMANDO ELETTRICO

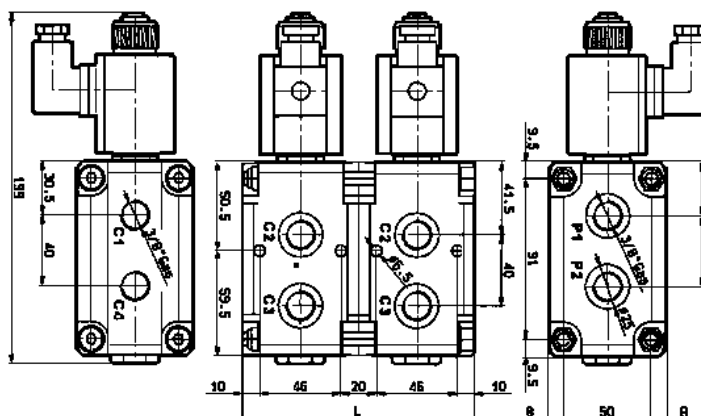
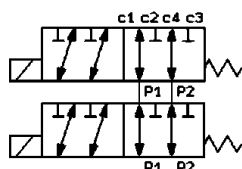
SOLENOID OPERATED DIVERTER VALVES - MAGNETWECHSELVENTILE

COMPONIBILE TIPO "VS 241/F..."
 MODULAR TYPE "VS 241/F..."
 SANDWICHAUSFÜHRUNG TYP "VS 241/F..."

Filetto - Thread - Gewinde: 3/8" BSPP

Q max: 50 L/min

P max: 310 bar ***



12 VDC

24 VDC

| CODICE Code Bestell-Nr. | CODICE Code Bestell-Nr. | TIPO Type Typ | N° ELEMENTI Elements no. Elementanzahl | N° VIE Ports Wege | L mm | Kg. | EURO |
|-------------------------------|-------------------------------|---------------------|--|-------------------------|---------|-------|---------|
| ELVSF240112DC | ELVSF240124DC | VS241/F1 | 1 | 6 | 66 | 3,38 | 224,65 |
| ELVSF240212DC | ELVSF240224DC | VS241/F2 | 2 | 8 | 132 | 6,76 | 487,04 |
| ELVSF240312DC | ELVSF240324DC | VS241/F3 | 3 | 10 | 198 | 10,14 | 734,50 |
| ELVSF240412DC | ELVSF240424DC | VS241/F4 | 4 | 12 | 264 | 13,52 | 1036,24 |
| ELVSF240512DC | ELVSF240524DC | VS241/F5 | 5 | 14 | 330 | 16,90 | 1237,73 |

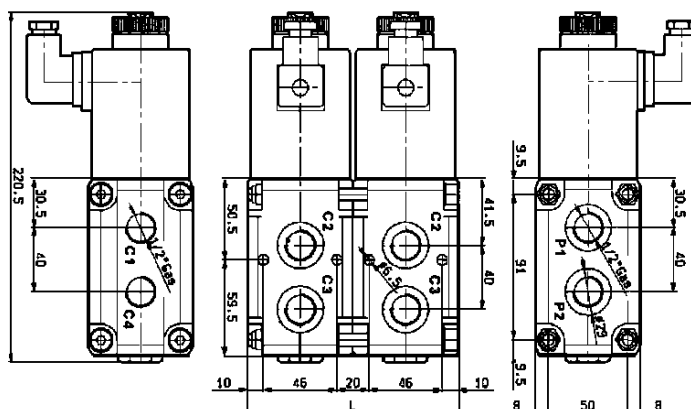
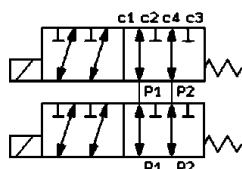
*** CON DRENAGGIO ESTERNO - WITH EXTERNAL DRAIN - MIT AUSSEN-DRÄNANSCHLUSS

COMPONIBILE TIPO "VS 281/F..."
 MODULAR TYPE "VS 281/F..."
 SANDWICHAUSFÜHRUNG TYP "VS 281/F..."

Filetto - Thread - Gewinde: 1/2" BSPP

Q max: 90 L/min

P max: 310 bar ***



12 VDC

24 VDC

| CODICE Code Bestell Nr. | CODICE Code Bestell Nr. | TIPO Type Typ | N° ELEMENTI Elements no. Elementanzahl | N° VIE Ports Wege | L mm | Kg. | EURO |
|-------------------------------|-------------------------------|---------------------|--|-------------------------|---------|-------|---------|
| ELVSF280112DC | ELVSF280124DC | VS281/F1 | 1 | 6 | 66 | 4,90 | 267,85 |
| ELVSF280212DC | ELVSF280224DC | VS281/F2 | 2 | 8 | 132 | 9,80 | 577,78 |
| ELVSF280312DC | ELVSF280324DC | VS281/F3 | 3 | 10 | 198 | 14,70 | 870,96 |
| ELVSF280412DC | ELVSF280424DC | VS281/F4 | 4 | 12 | 264 | 19,60 | 1182,60 |
| ELVSF280512DC | ELVSF280524DC | VS281/F5 | 5 | 14 | 330 | 24,50 | 1458,40 |

*** CON DRENAGGIO ESTERNO - WITH EXTERNAL DRAIN - MIT AUSSEN-DRÄNANSCHLUSS

A RICHIESTA: PULSANTIERE A 1-2-4-6 PULSANTI PER COMANDO SELETTORI ADATTABILI A DISTRIBUTORI O VALVOLE AD AZIONAMENTO MANUALE

ON REQUEST: DRIVE PUSHBOARDS (1-2-4-6 PUSH-BUTTONS) FOR DIVERTER VALVES SUITABLE TO HAND-DRIVEN DIRECTIONAL VALVES

AUF ANFRAGE: DRUCKKNOPFTAFEL MIT 1-2-4-6 DRUCKTASTEN FÜR MAGNETWECHSELVENTILE UND ANPASSUNGSFÄHIG AN WEGEVENTILE BZW. VENTILE MIT HANDANTRIEB